

FUSION TECH T8 TUBE



T8 Fusion Tech Replacement Lamps are the ideal energy saving choices when upgrading traditional linear T8 and T12 tubes.

The Fusion Tech tube uses state of the art Fusion™ technology to enable it to be used both as TYPE A (Ballast compatible) / TYPE B (Bypass ballast) and can be wired single or double-ended.

The flyweight high impact plastic lens reduces the weight of the tube. This enables the tube to be more proficient (130 lumens per watt) than older LED T8 tubes but with less materials waste.

These DLC, UL, cUL, and FCC listed LED T8 lamps are designed to provide exceptional light levels whether with or without ballast.

Features:

- Highly energy efficient up to 130 Lumens Per Watt
- Flicker Free -10V dimmable LED Driver
- 5 Year / 50,000 Hour Warranty • DLC Premium 4.2, UL, cUL Listed

Applications:

- Offices, hotels, retail stores, schools, universities, and supermarkets.

Tested Data:

- Light Output: 2,080 total lumens
- Wattage: 16
- Efficacy: 130 Lumens Per Watt
- Power Factor: 0.90
- CCT: 4000K & 5000K
- Frequency: 50-60Hz

FUSION TECH T8 TUBE

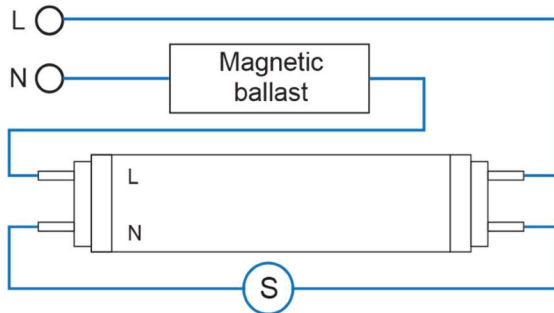
Specifications

Model No.	Wattage	Voltage	Lumen	Efficacy	Color Temp.	PF	Length
FI-T8-16W-120-GTB	16	100-277V	2080	>130LM/W	4000k 5000k	>0.9	4 Feet

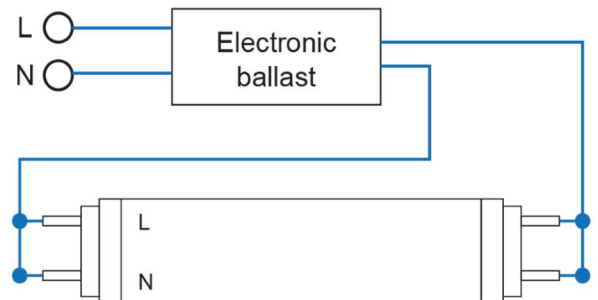
Packaging and Weight

Tube	Outer Carton Size (LxWxH) in	Qty/ Carton(pcs)	Net Weight (kg)
FI-T8-16W-120-GTB	48.43x11.61x7.68	45	29.76

1. Compatible with Magnetic ballast



2. Compatible with electronic ballast



3. One side power without ballast.



4. Two side power without ballast

